



Splicing Fittings

Splicing fittings are mainly used for splicing or repairing conductors and ground wires of overhead transmission lines. WINNING® supplies superior quality splicing fittings to confirm stable and safe operation.

1. JY-G Splicing Sleeves for Steel Wire (Hydraulic Compression)



Catalog No.	Applicable Steel Stranded Wire	Main Dimensions (mm)			Slip Strength \geq (kN)	Weight (kg)
		D	Φ	L		
JY-25G	GJ-25	14	7.20	190	33	0.17
JY-35G	GJ-35	16	8.40	220	45	0.26
JY-50G	GJ-50	18	9.60	240	60	0.36
JY-55G	GJ-55	22	10.3	240	70	0.56
JY-70G	GJ-70	22	11.7	290	88	0.65
JY-80G	GJ-80	24	12.0	308	100	0.81
JY-100G	GJ-100	26	13.7	320	123	1.20

Materials are made of Hot Dip Galvanized Steel.

2. JBD-G Splicing Sleeves for Steel Wire (Explosive Overlap Joint)

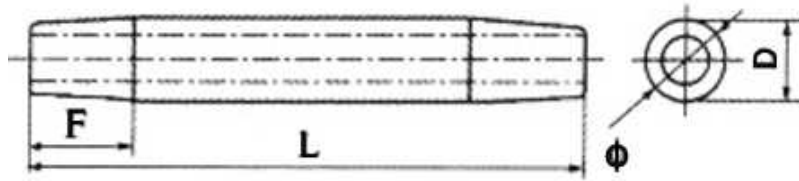


Catalog No.	Applicable Steel Stranded Wire	Main Dimensions (mm)			Slip Strength \geq (kN)	Weight (kg)
		D	Φ	L		
JBD-35G	GJ-35	22	16.0	110	45	0.15
JBD-50G	GJ-50	25	17.9	130	60	0.27
JBD-55G	GJ-55	26	18.0	130	70	0.28
JBD-70G	GJ-70	28	20.0	150	88	0.35
JBD-100G	GJ-100	32	23.0	170	123	0.52

Materials are made of Hot Dip Galvanized Steel.



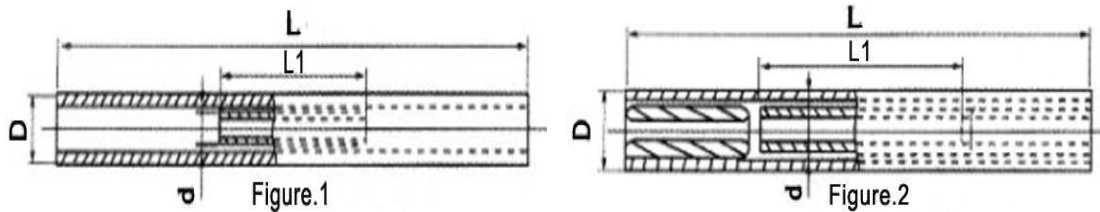
3. JY-L Splicing Sleeves for Aluminum Conductor



Catalog No.	Suitable Steel Stranded Wire	Main Dimensions (mm)				Slip Strength \geq (kN)	Weight (kg)
		D	F	Φ	L		
JY-150L	LJ-150	30	20	17.0	280	22	0.36
JY-185L	LJ-185	32	20	19.0	310	27	0.44
JY-210L	LJ-210	24	20	20.0	330	31	0.44
JY-240L	LJ-240	36	40	21.5	350	34	0.75
JY-300L	LJ-300	40	25	24.0	390	45	0.95
JY-400L	LJ-400	45	25	27.5	450	58	1.50
JY-500L	LJ-500	52	30	30.5	510	73	2.00
JY-630L	LJ-630	60	35	34.0	570	87	2.80
JY-800L	LJ-800	65	40	38.5	650	110	4.80

Materials are made of Aluminum.

4. JYD-BG Splicing Sleeve for ACSR/AS Conductor (Hydraulic Compression)

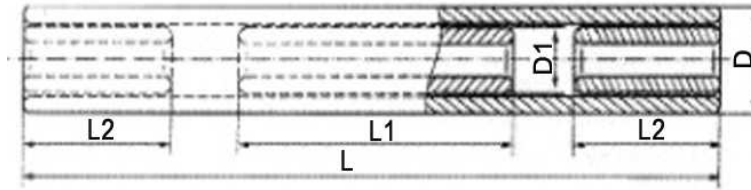


Catalog No.	Suitable Conductor	Fig.	Main Dimensions (mm)				Slip Strength \geq (kN)	Weight (kg)
			D	d	L	L1		
JY-80/47BG	ACSR/AS-80/47	2	36	18	480	250	64.6	1.30
JY-95/55BG	ACSR/AS-90/55	2	36	20	500	260	74.0	1.32
JY-240/40BG	ACSR/AS-240/40	1	38	22	500	110	81.6	1.18
JYD-300/25BG	ACSR/AS-300/25	1	42	20	500	90	74.4	1.35
JYD-300/40BG	ACSR/AS-300/40	1	42	22	530	110	90.0	1.42
JYD-300/50BG	ACSR/AS-300/50	1	42	24	550	130	101	1.50
JYD-400/35BG	ACSR/AS-400/35	1	48	22	560	100	99.0	2.03
JYD-400/50BG	ACSR/AS-400/50	1	48	24	590	130	117	2.07

The inner sleeves are Hot Dip Galvanized; the outer and lining sleeves are Aluminum.



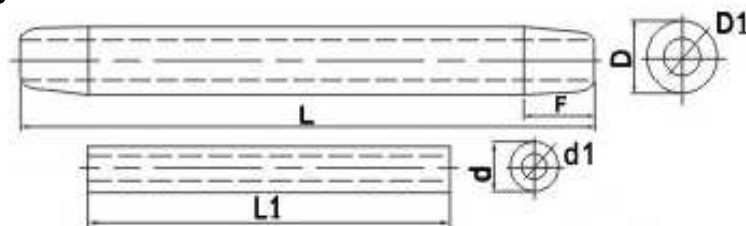
4. JYD-BG Splicing Sleeve for Steel Stranded Wire (Hydraulic Compression)



Catalog No.	Suitable Steel Stranded Wire	Main Dimensions (mm)					Slip Strength \geq (kN)
		L	L1	L2	D	D1	
JY-35BG	JLB20A-35	400	220	70	$\Phi 32$	$\Phi 18$	38
JY-50BG	JLB20A-50	420	240	70	$\Phi 32$	$\Phi 18$	57
JY-65BG	JLB20A-65	500	300	70	$\Phi 36$	$\Phi 22$	73
JY-70BG	JLB20A-70	500	300	70	$\Phi 36$	$\Phi 22$	78
JY-80BG	JLB20A-80	560	360	70	$\Phi 36$	$\Phi 24$	85
JY-95BG	JLB20A-95	600	380	80	$\Phi 40$	$\Phi 26$	96
JY-100BG.1	JLB20A-100	620	400	80	$\Phi 40$	$\Phi 28$	116
JY-100BG.2	JLB30-100	560	360	70	$\Phi 36$	$\Phi 24$	76
JY-120BG.1	JLB20A-120	620	400	80	$\Phi 42$	$\Phi 30$	139
JY-120BG.2	JLB30-120	600	380	80	$\Phi 40$	$\Phi 26$	92
JY-150BG.1	JLB20A-150	690	460	80	$\Phi 45$	$\Phi 32$	170
JY-150BG.2	JLB30-150	620	400	80	$\Phi 40$	$\Phi 28$	112
JY-185BG.1	JLB20A-185	770	500	100	$\Phi 48$	$\Phi 34$	199
JY-185BG.2	JLB30-185	620	400	80	$\Phi 42$	$\Phi 30$	138

The sleeve body and lining sleeve are Aluminum; the tube is Hot Dip Galvanized Steel.

5. JY Splicing Sleeves



Catalog No.	Suitable Conductor	Main Dimensions (mm)						Slip Strength \geq (kN)
		L	D	d	L1	D1	d1	
JY-50/8	LGJ-50/8	300	$\Phi 26$	$\Phi 14$	100	$\Phi 12$	$\Phi 3.8$	15.2
JY-50/30	LGJ-50/30	380	$\Phi 30$	$\Phi 16$	190	$\Phi 14$	$\Phi 7.4$	18.4
JY-70/10	LGJ-70/10	360	$\Phi 26$	$\Phi 13$	110	$\Phi 12$	$\Phi 4.5$	21.0
JY-70/40	LGJ-70/40	440	$\Phi 32$	$\Phi 20$	220	$\Phi 18$	$\Phi 8.8$	52.5
JY-95/15	LGJ-95/15	430	$\Phi 26$	$\Phi 15$	130	$\Phi 14$	$\Phi 5.7$	31.5
JY-95/20	LGJ-95/20	430	$\Phi 26$	$\Phi 15$	130	$\Phi 14$	$\Phi 6.2$	33.5

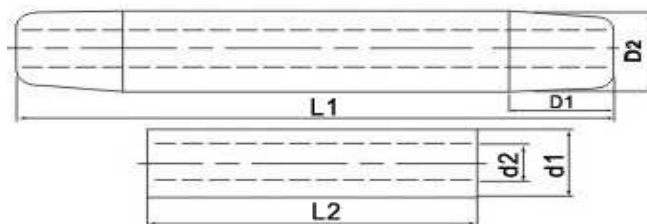


JY-95/55	LGJ-95/55	500	Φ34	Φ22	260	Φ20	Φ10.2	70.3
JY-120/7	LGJ-120/7	400	Φ30	Φ16	120	Φ12	Φ3.6	24.8
JY-120/20	LGJ-120/20	430	Φ30	Φ16	130	Φ14	Φ6.2	36.9
JY-120/25	LGJ-120/25	490	Φ30	Φ17	150	Φ14	Φ7.0	43.1
JY-120/70	LGJ-120/70	580	Φ36	Φ24	290	Φ22	Φ11.5	88.5
JY-150/8	LGJ-150/8	440	Φ30	Φ17.5	100	Φ12	Φ4.0	29.6
JY-150/20	LGJ-150/20	470	Φ30	Φ18	130	Φ14	Φ6.2	42.0
JY-150/25	LGJ-150/25	500	Φ30	Φ18.5	150	Φ14	Φ7.0	48.7
JY-150/35	LGJ-150/35	530	Φ30	Φ19	180	Φ16	Φ8.2	58.5
JY-185/10	LGJ-185/10	490	Φ32	Φ19.5	120	Φ12	Φ4.5	36.8
JY-185/25	LGJ-185/25	520	Φ32	Φ20.5	150	Φ14	Φ7.0	53.5
JY-185/30	LGJ-185/30	540	Φ32	Φ20.5	170	Φ16	Φ7.6	58.0
JY-185/45	LGJ-185/45	570	Φ32	Φ21	200	Φ18	Φ9.0	72.2
JY-210/10	LGJ-210/10	520	Φ34	Φ20.5	140	Φ12	Φ4.5	40.6
JY-210/25	LGJ-210/25	540	Φ34	Φ21.5	160	Φ14	Φ7.3	59.4
JY-210/35	LGJ-210/35	560	Φ34	Φ22	180	Φ16	Φ8.2	66.8
JY-210/50	LGJ-210/50	600	Φ34	Φ22	210	Φ18	Φ9.6	81.8
JY-240/30	LGJ-240/30	570	Φ36	Φ23	170	Φ16	Φ7.9	68.0
JY-240/40	LGJ-240/40	590	Φ36	Φ23	190	Φ16	Φ8.7	75.0
JY-240/55	LGJ-240/55	640	Φ36	Φ24	230	Φ20	Φ10.3	92.0
JY-300/15	LGJ-300/15	560	Φ40	Φ24.5	120	Φ14	Φ5.7	61.2
JY-300/20	LGJ-300/20	580	Φ40	Φ25.0	140	Φ14	Φ6.5	68.1
JY-300/25	LGJ-300/25	600	Φ40	Φ25.5	160	Φ14	Φ7.3	75.0
JY-300/40	LGJ-300/40	640	Φ40	Φ25.5	190	Φ16	Φ8.7	83.0
JY-300/50	LGJ-300/50	660	Φ40	Φ26.0	210	Φ18	Φ9.6	93.1
JY-300/70	LGJ-300/70	710	Φ42	Φ27.0	260	Φ22	Φ11.5	115.2
JY-400/20	LGJ-400/20	580	Φ45	Φ28.5	140	Φ14	Φ6.5	80.0
JY-400/25	LGJ-400/25	660	Φ45	Φ28.5	160	Φ14	Φ7.3	86.4
JY-400/35	LGJ-400/35	680	Φ45	Φ28.5	180	Φ16	Φ8.2	93.5
JY-400/50	LGJ-400/50	730	Φ45	Φ29.5	220	Φ20	Φ9.9	111.1
JY-400/65	LGJ-400/65	760	Φ48	Φ29.5	250	Φ22	Φ11.0	121.7
JY-400/95	LG400/95J-	830	Φ48	Φ31.0	300	Φ26	Φ13.2	154.2
JY-500/35	LGJ-500/35	760	Φ52	Φ31.5	180	Φ16	Φ8.2	107.6
JY-500/45	LGJ-500/45	760	Φ52	Φ31.5	200	Φ18	Φ9.1	115.3
JY-500/65	LGJ-500/65	820	Φ52	Φ32.5	250	Φ22	Φ11.9	138.6
JY-630/45	LGJ-630/45	840	Φ60	Φ35.5	200	Φ18	Φ9.1	134.0
JY-630/55	LGJ-630/55	880	Φ60	Φ36.0	230	Φ20	Φ10.3	148.0
JY-630/80	LGJ-630/80	940	Φ60	Φ36.5	280	Φ24	Φ12.3	173.7
JY-800/55	LGJ-800/55	950	Φ65	Φ40.0	230	Φ20	Φ10.3	172.4
JY-800/70	LGJ-800/70	980	Φ65	Φ40.5	260	Φ22	Φ11.5	186.3
JY-800/100	LGJ-800/100	1050	Φ65	Φ40.5	310	Φ26	Φ13.7	217.0

The inner sleeve is Hot Dip Galvanized; the outer and lining sleeves are Aluminum.



6. JYD Splicing Sleeves



Catalog No.	Suitable Conductor	Main Dimension (mm)						Slip Strength \geq (kN)
		L1	D1	d1	L2	D2	d2	
JYD-50/8	LGJ-50/8	280	$\Phi 30$	$\Phi 18.0$	80	$\Phi 14$	$\Phi 7.00$	16
JYD-50/30	LGJ-50/30	300	$\Phi 34$	$\Phi 22.0$	100	$\Phi 20$	$\Phi 11.6$	40
JYD-70/10	LGJ-70/10	300	$\Phi 30$	$\Phi 18.0$	80	$\Phi 16$	$\Phi 8.30$	22
JYD-70/40	LGJ-70/40	330	$\Phi 34$	$\Phi 22.0$	110	$\Phi 20$	$\Phi 13.6$	50
JYD-95/15	LGJ-95/15	320	$\Phi 32$	$\Phi 21.0$	80	$\Phi 18$	$\Phi 8.40$	30
JYD-95/20	LGJ-95/20	340	$\Phi 32$	$\Phi 21.0$	80	$\Phi 18$	$\Phi 9.30$	35
JYD-95/55	LGJ-95/55	420	$\Phi 36$	$\Phi 24.0$	120	$\Phi 22$	$\Phi 16.0$	70
JYD-120/7	LGJ-120/7	320	$\Phi 30$	$\Phi 16.0$	80	$\Phi 14$	$\Phi 6.50$	25
JYD-20/20	LGJ-120/20	380	$\Phi 30$	$\Phi 17.0$	80	$\Phi 16$	$\Phi 9.30$	35
JYD-20/25	LGJ-120/25	380	$\Phi 30$	$\Phi 17.0$	100	$\Phi 16$	$\Phi 10.5$	40
JYD20/70	LGJ-120/70	450	$\Phi 40$	$\Phi 26.0$	130	$\Phi 24$	$\Phi 18.0$	80
JYD-150/8	LGJ-150/8	360	$\Phi 30$	$\Phi 17.5$	80	$\Phi 14$	$\Phi 7.00$	30
JYD-150/20	LGJ-150/20	400	$\Phi 30$	$\Phi 18.0$	80	$\Phi 16$	$\Phi 9.30$	40
JYD-150/25	LGJ-150/25	400	$\Phi 30$	$\Phi 19.0$	90	$\Phi 18$	$\Phi 10.5$	50
JYD-150/35	LGJ-150/35	440	$\Phi 30$	$\Phi 19.0$	90	$\Phi 18$	$\Phi 12.5$	60
JYD-185/10	LGJ-185/10	380	$\Phi 32$	$\Phi 19.5$	80	$\Phi 16$	$\Phi 7.80$	30
JYD-185/25	LGJ-185/25	410	$\Phi 32$	$\Phi 20.5$	90	$\Phi 18$	$\Phi 10.5$	50
JYD-185/30	LGJ-185/30	420	$\Phi 32$	$\Phi 20.5$	100	$\Phi 18$	$\Phi 11.6$	60
JYD-185/45	LGJ-185/45	480	$\Phi 32$	$\Phi 21.0$	120	$\Phi 20$	$\Phi 14.0$	70
JYD-210/10	LGJ-210/10	400	$\Phi 34$	$\Phi 20.5$	80	$\Phi 16$	$\Phi 8.30$	40
JYD-210/25	LGJ-210/25	420	$\Phi 34$	$\Phi 21.5$	90	$\Phi 20$	$\Phi 11.2$	60
JYD-210/35	LGJ-210/35	450	$\Phi 34$	$\Phi 22.0$	100	$\Phi 20$	$\Phi 12.5$	70
JYD-210/50	LGJ-210/50	480	$\Phi 34$	$\Phi 23.5$	120	$\Phi 22$	$\Phi 15.0$	80
JYD-240/30	LGJ-240/30	450	$\Phi 36$	$\Phi 23.0$	100	$\Phi 20$	$\Phi 12.5$	70
JYD-240/40	LGJ-240/40	470	$\Phi 36$	$\Phi 23.0$	100	$\Phi 20$	$\Phi 13.3$	80
JYD-24055	LGJ-240/55	490	$\Phi 36$	$\Phi 24.0$	120	$\Phi 22$	$\Phi 16.0$	100
JYD-300/5	LGJ-300/15	440	$\Phi 40$	$\Phi 24.5$	70	$\Phi 18$	$\Phi 8.40$	65
JYD-300/20	LGJ-300/20	450	$\Phi 40$	$\Phi 25.0$	80	$\Phi 18$	$\Phi 9.80$	70
JYD-300/25	LGJ-300/25	480	$\Phi 40$	$\Phi 25.5$	90	$\Phi 20$	$\Phi 11.2$	80
JYD-300/40	LGJ-300/40	490	$\Phi 40$	$\Phi 25.5$	100	$\Phi 20$	$\Phi 13.3$	90
JYD-300/50	LGJ-300/50	510	$\Phi 40$	$\Phi 26.0$	100	$\Phi 22$	$\Phi 15.0$	100
JYD-300/70	LGJ-300/70	560	$\Phi 42$	$\Phi 27.0$	130	$\Phi 24$	$\Phi 18.0$	120



JYD-400/20	LGJ-400/20	510	Φ45	Φ28.5	80	Φ18	Φ9.80	80
JYD-400/25	LGJ-400/25	520	Φ45	Φ28.5	90	Φ20	Φ11.2	90
JYD-400/35	LGJ-400/35	540	Φ45	Φ28.5	100	Φ22	Φ12.5	100
JYD-400/50	LGJ-400/50	570	Φ45	Φ29.5	120	Φ24	Φ15.4	120
JYD-400/65	LGJ-400/65	580	Φ48	Φ29.5	130	Φ26	Φ17.2	130
JYD-500/35	LGJ-500/35	580	Φ52	Φ31.5	100	Φ22	Φ12.5	110
JYD-500/45	LGJ-500/45	610	Φ52	Φ31.5	110	Φ24	Φ14.0	120
JYD-500/65	LGJ-500/65	640	Φ52	Φ32.5	130	Φ26	Φ17.2	150
JYD-630/45	LGJ-630/45	650	Φ60	Φ35.5	110	Φ24	Φ14.0	140
JYD-630/55	LGJ-630/55	680	Φ60	Φ36.0	120	Φ26	Φ16.0	155
JYD-800/55	LGJ-800/55	730	Φ65	Φ40.0	120	Φ26	Φ16.0	180
JYD-800/70	LGJ-800/70	760	Φ65	Φ40.5	130	Φ26	Φ18.0	200

The inner sleeves are Hot Dip Galvanized Steel; the outer sleeves are Aluminum.

7. JTB Splicing Sleeves for ACSR Conductor (Explosive Overlap Joint)

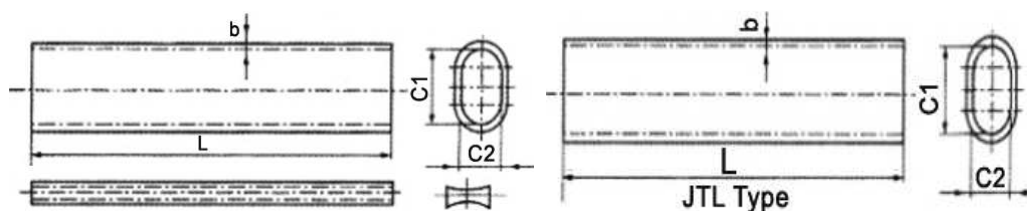


Catalog No.	Suitable Conductor	Main Dimensions (mm)				Slip Strength \geq (kN)	Weight (kg)
		B	C1	C2	L		
JTB-35/6	LGJ-35/6	2.1	18.6	8.80	170	12	0.08
JTB-50/8	LGJ-50/8	2.3	22.0	10.5	210	16	0.13
JTB-70/10	LGJ-70/10	2.6	26.0	12.5	250	22	0.19
JTB-95/15	LGJ-95/15	2.6	32.0	15.0	260	33	0.22
JTB-95/20	LGJ-95/20	2.6	31.5	15.2	260	35	0.22
JTB-120/7	LGJ-120/7	3.1	33.0	16.0	300	26	0.34
JTB-120/20	LGJ-120/20	3.1	35.0	17.0	300	39	0.34
JTB-150/8	LGJ-150/8	3.1	36.0	17.5	310	31	0.40
JTB-150/20	LGJ-150/20	3.1	37.0	18.0	310	44	0.40
JTB-150/25	LGJ-150/25	3.1	39.0	19.0	310	51	0.40
JTB-185/10	LGJ-185/10	3.4	40.0	19.5	350	39	0.50
JTB-185/25	LGJ-185/25	3.4	43.0	21.0	350	56	0.50
JTB-185/30	LGJ-185/30	3.4	43.0	21.0	350	61	0.50
JTB-210/10	LGJ-210/10	3.6	43.0	21.0	360	43	0.57
JTB-210/25	LGJ-210/25	3.6	44.0	21.0	360	63	0.63
JTB-210/35	LGJ-210/35	3.6	45.0	22.0	400	71	0.67
JTB-240/30	LGJ-240/30	3.9	48.0	23.5	370	72	0.70
JTB-240/40	LGJ-240/40	3.9	48.0	23.5	460	79	0.70

Materials are made of Aluminum.

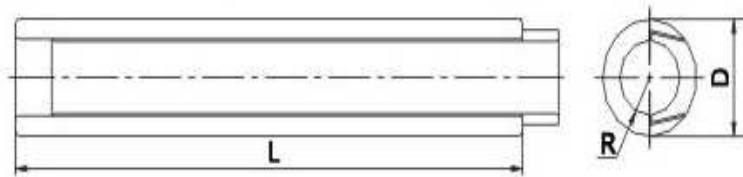


8. JT, JTL Splicing Sleeves for Conductor (Compression with Plicers)



Catalog No.	Suitable Conductor	Main Dimensions (mm)				Slip Strength \geq (kN)	Weight (kg)
		b	C1	C2	L		
JT-10/2	LGJ-10/2	1.7	11.0	5.00	170	3.9	0.05
JT-16/3	LGJ-16/3	1.7	14.0	6.00	210	5.8	0.07
JT-25/4	LGJ-25/4	1.7	16.0	7.80	270	8.8	0.08
JT-35/6	LGJ-35/6	2.1	18.0	8.80	340	12	0.17
JT-50/8	LGJ-50/8	2.3	22.0	10.5	420	16	0.23
JT-70/10	LGJ-70/10	2.6	26.0	12.5	500	22	0.34
JT-95/15	LGJ-95/15	2.6	31.0	15.0	690	33	0.52
JT-95/20	LGJ-95/20	2.6	31.5	15.2	690	35	0.55
JT-120/7	LGJ-120/7	3.1	33.0	16.0	910	26	0.60
JT-120/20	LGJ-120/20	3.1	35.0	17.0	910	39	0.91
JT-150/8	LGJ-150/8	3.1	36.0	17.5	940	31	1.05
JT-150/20	LGJ-150/20	3.1	37.0	18.0	940	44	1.10
JT-150/25	LGJ-150/25	3.1	39.0	19.0	1040	51	1.15
JT-185/10	LGJ-185/10	3.4	40.0	19.5	1040	39	1.40
JT-185/25	LGJ-185/25	3.4	43.0	21.0	1040	56	1.42
JT-185/30	LGJ-185/30	3.4	43.0	21.	1040	61	1.50
JT-210/10	LGJ-210/10	3.6	43.0	21.	1070	43	1.52
JT-210/25	LGJ-210/25	3.6	45.0	21.5	1070	63	1.58
JT-210/35	LGJ-210/35	3.6	46.0	22.0	1070	71	1.62
JT-240/30	LGJ-240/30	3.9	48.0	23.5	540	72	1.00
JT-240/40	LGJ-240/40	3.6	48.0	23.5	540	79	1.00
JT Type is for ACSR Conductors, JTL Type is for Aluminum Conductor							
JTL-16L	LJ-16	1.7	12.0	6.00	110	2.7	0.02
JTL-25L	LJ-25	1.7	14.4	7.20	120	4.1	0.03
JTL-35L	LJ-35	1.7	17.0	8.50	140	5.5	0.04
JTL-50L	LJ-50	1.7	20.0	10.0	190	7.5	0.05
JTL-70L	LJ-70	1.7	23.7	11.7	210	10	0.07
JTL-95L	LJ-95	1.7	26.8	13.4	280	14	0.10
JTL-120L	LJ-120	2.0	30.0	15.0	300	18	0.15
JTL-150L	LJ-150	2.0	34.0	17.0	320	22	0.16
JTL-185L	LJ-185	2.0	38.0	19.0	340	27	0.20
JTL-240L	LJ-240	3.6	42.0	21.5	380	34.5	0.28

Materials are made of Aluminum.

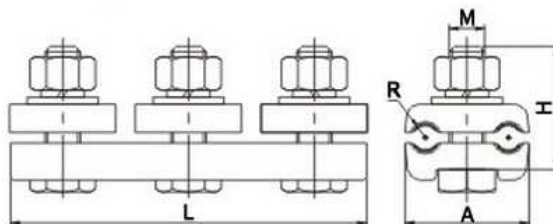
**9. JX Repair Sleeves for ACSR, AAC, AAAC Conductor**

Catalog No.	Applicable Steel Stranded Wire	Main Dimensions (mm)			Weight (kg)
		D	L	R	
JX-70/10	LGJ-70/10	22	125	6.25	0.10
JX-70/40	LGJ-70/40	24	140	8.10	0.10
JX-95	LGJ-95/15/20	26	150	7.25	0.15
JX-95/55	LGJ-95/55	32	170	9.00	0.75
JX-120/55	LGJ-120/25	26	150	8.40	0.13
JX-150	LGJ-150/20/25	30	170	9.00	0.21
JX-150/35	LGJ-150/35	32	170	9.50	0.24
JX-185/10	LGJ-185/10	32	150	10.0	0.35
JX-185	LGJ-185/25/45	32	150	10.5	0.35
JX-210	LGJ-210/25/210/35	34	200	11.0	0.40
JX-240	LGJ-240/30/40/210/50	36	200	11.5	0.45
JX-240/55	LGJ-240/55	36	200	12.0	0.45
JX-300/15	LGJ-300/15	40	250	12.0	0.51
JX-300	LGJ-300/20/25/35/50	40	250	13.0	0.51
JX-300/70	LGJ-300/70	42	250	13.5	0.51
JX-400	LGJ-400/20/25/35/50	45	300	14.5	0.74
JX-400/65	LGJ-400/65	48	300	15.0	0.74
JX-400/95	LGJ-400/95	48	300	15.5	0.74
JX-500	LGJ-500/35/45/65	52	300	16.0	1.27
JX-630	LGJ-630/45/55/80	60	350	18.0	1.70
JX-720/50	ACSR-720/50	60	370	19.0	3.60
JX-800/55	LGJ-800/55	65	350	20.0	2.02
JX-800	LGJ-800/70/100	65	350	20.5	2.00
JX-35G	GJ-35	16	100	4.20	0.09
JX-55G	GJ-55	20	130	5.10	0.24
JX-5G	GJ-50	18	100	4.50	0.15
JX-70G	GJ-70	22	120	5.80	0.23
JX-80G	GJ-80	24	150	6.00	0.39
JX-100G	GJ-100	26	140	7.00	0.54
JX-120G	GJ-120	28	170	7.50	0.58
JX-135G	GJ-135	32	160	8.00	0.78
JX-165G	GJ-165	34	185	8.00	0.96

Materials are made of Aluminum.



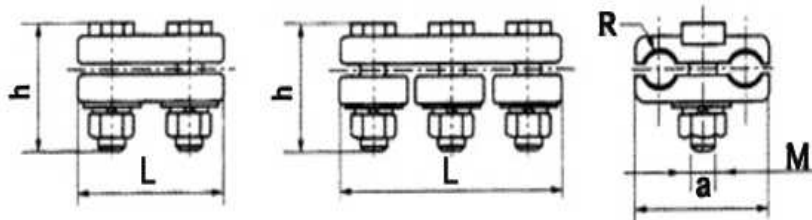
10. JB type Parallel Groove Clamps for AAC and ACSR Conductor



Catalog No.	Applicable Wire Section Area (mm ²)	BOLT PCS	Main Dimensions (mm)					Weight (kg)
			R	L	A	M	H	
JB-0	16-25	2	3.50	70	37	10	40	0.2
JB-1	35-50	2	5.00	78	44	12	45	0.4
JB-2	70-95	3	7.00	112	52	12	55	0.7
JB-3	120-150	3	8.50	138	62	16	60	1.1
JB-4	185-240	3	11.0	142	71	16	65	1.3
JB-5	300-400	4	15.5	215	100	20	80	3.9
JB-6	500-630	4	18.5	230	110	20	90	5.1

The clamp body and keeper are Aluminum; other parts are Hot Dip Galvanized Steel.

11. JBB type Parallel Groove Clamps for Steel Stranded Wire

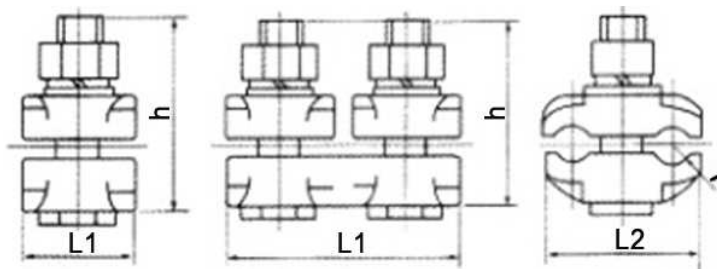


Catalog No.	Applicable Wire Section Area (mm ²)	Main Dimensions (mm)					Weight (kg)
		a	M	L	R	h	
JBB-1	25-35	40	12	90	4.5	48	0.66
JBB-2	50-70	50	16	90	6.0	60	1.00
JBB-3	100-120	56	16	124	7.0	65	1.85

The clamp body and keeper are Aluminum; other parts are Steel. All ferrous parts are Hot Dip Galvanized.



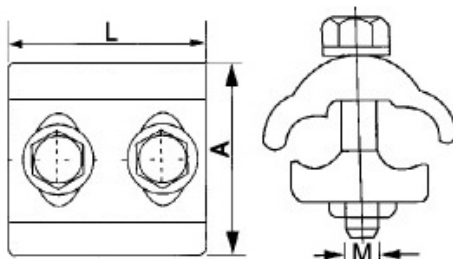
12. JBG type Parallel Groove Clamps



Catalog No.	Applicable Wire Section Area (mm ²)	BOLT PCS	Main Dimensions (mm)				Weight (kg)
			h	r	L1	L2	
JBG-1	4.50~11.5	1	60	6.00	36	43	0.10
JBG-2	11.5~14.0	1	58	7.00	68	48	0.40
JBG-3	14.0~17.0	2	75	8.50	72	58	0.55
JBG-4	17.0~22.0	2	75	11.0	80	72	0.75

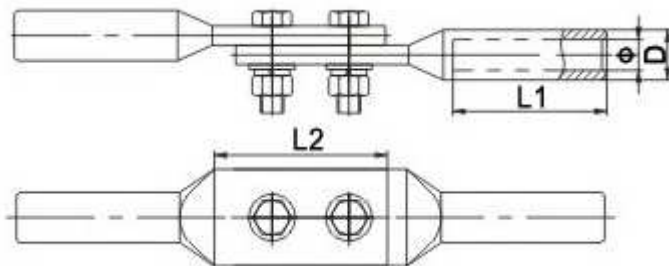
The clamp body and keeper are Aluminum; other parts are Steel. All ferrous parts are Hot Dip Galvanized.

13. JBT type JBT Aluminum Copper Parallel-Groove Clamp



Catalog No.	Applicable Conductor Diameter (mm)		Main Dimensions (mm)			Weight (kg)
	Run	Tap	L	A	M	
JBL-11	6.80~11.5	6.80~11.5	60	45	10	0.25
JBL-12	10.1~15.3	6.80~11.5	80	50	10	0.30
JBL-22	10.1~15.3	11.1~15.3	80	52	10	0.32
JBL-23	15.6~20.1	10.1~1.3	110	58	12	0.60
JBL-24	19.0~24.0	10.1~15.3	120	66	16	0.70
JBL-33	15.6~20.1	15.6~20.1	110	66	12	0.62
JBL-34	19.0~24.0	15.6~20.1	120	72	16	0.75
JBL-35	23.0~29.	15.6~20.1	140	85	16	0.90
JBL-44	19.0~24.0	19.0~24.0	120	76	16	0.82
JBL-45	23.0~29.0	19.0~24.0	140	86	16	1.00
JBL-55	23.0~29.0	23.0~29.0	140	86	16	1.10

The clamp body and keeper are Aluminum; other parts are Steel. All ferrous parts are Hot Dip Galvanized.

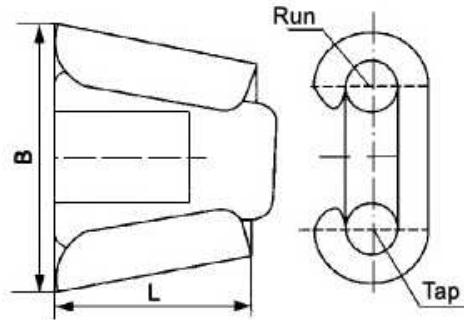
**14. JYT Jumper Connectors (Hydraulic Compression type)**

Catalog No.	Applicable Conductor	Main Dimensions (mm)				Weight (kg)
		D	L1	L2	ϕ	
JYT-35/6	LGJ-35/6	16	60	65	9.50	0.41
JYT-50/8	LGJ-50/8	18	60	65	11.0	0.45
JYT-70/10	LGJ-70/10	22	70	65	13.0	0.54
JYT-95/15	LGJ-95/15	26	80	65	15.0	0.62
JYT-120/7	LGJ-120/7	26	80	85	16.0	0.60
JYT-120/20	LGJ-120/20	26	80	85	16.5	0.58
JYT-150/8	LGJ-150/8	30	90	85	17.5	0.84
JYT-150/20	LGJ-150/20	30	90	85	18.0	0.84
JYT-150/25	LGJ-150/25	30	90	85	18.5	0.84
JYT-185/10	LGJ-185/10	32	90	85	19.5	0.94
JYT-185/25	LGJ-185/25	32	90	85	20.5	0.90
JYT-185/30	LGJ-185/30	32	90	85	20.5	0.90
JYT-210/10	LGJ-210/10	34	100	85	20.5	1.18
JYT-210/25	LGJ-210/25	34	100	85	21.5	1.14
JYT-210/35	LGJ-210/35	34	100	85	22.0	1.10
JYT-240/30	LGJ-240/30	36	110	85	23.0	1.21
JYT-240/40	LGJ-240/40	36	100	85	23.0	1.21
JYT-3015	LGJ-300/15	40	110	105	24.5	1.74
JYT-300/25	LGJ-300/25	40	110	105	25.0	1.74
JYT-300/40	LGJ-300/40	40	110	105	25.5	1.74

The clamp body and keeper are Aluminum; other parts are Steel. All ferrous parts are Hot Dip Galvanized.



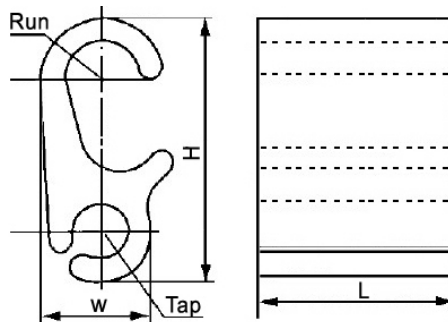
15. JBX Wedge Parallel Groove Clamp (Ejection type)



Catalog No.	Applicable Conductor Diameter (mm)		Main Dimensions (mm)		Weight (kg)
	Run	Tap	L	B	
JBX-70/25	10.5~11.5	6.40~7.4	42	64	0.21
JBX-120/25	15.0~16.0	6.40~7.4	42	64	0.19
JBX-70/70	10.5~11.5	10.5~11.5	42	64	0.20
JBX-120/70	15.0~16.0	10.5~11.5	42	64	0.18
JBX-150/70	16.2~17.2	10.5~11.5	42	64	0.22
JBX-120/120	15.0~16.0	15.0~16.0	42	64	0.17
JBX-150/120	16.2~17.2	15.0~16.0	50	70	0.20
JBX-150/50	16.2~17.2	9.50~10.5	50	70	0.24

The clamp body and tongue are made of Forged Aluminum Alloy Materials.

16. JBS-Parallel Groove Clamp (Compression type)

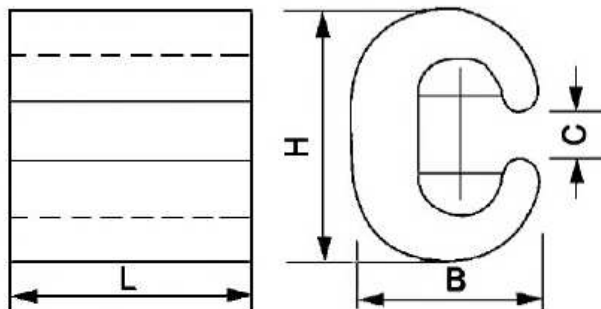


Catalog No.	Applicable Conductor Diameter (mm)		Main Dimensions (mm)			Weight (kg)
	Run	Tap	H	L	W	
JBS-12	10.0~12.0	7.00~8.3	44	40	24	0.1
JBS-23	12.1~14.1	10.1~12.0	48	40	24	0.2
JBS-34	14.2~17.4	12.1~14.1	70	55	30	0.3
JBS-45	17.5~20.1	14.2~17.4	98	60	32	0.5

Materials are made of Aluminum for use on AAC and ACSR Conductors.



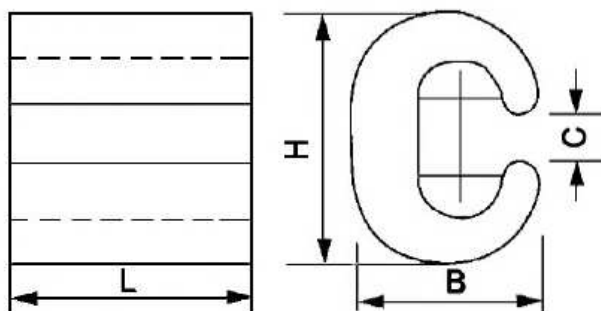
17. JCT C-Shape Copper Wire Clamp (Compression type)



Catalog No.	Applicable Conductor Diameter (mm)		Main Dimensions (mm)				Weight (kg)
	Run	Tap	H	B	L	C	
JCT-1	5.03~6.35	4.65~6.35	25	15	20	10	0.06
JCT-2	5.89~8.13	5.03~8.13	29	17	22	12	0.12
JCT-3	8.15~10.52	6.35~10.52	35	19	25	14	0.14
JCT-4	10.54~13.25	8.13~13.25	40	21	30	16	0.16

Material: Copper, suitable for the connection of copper stranded wire.

18. JCT C-Shape Aluminum Wire Clamp (Compression type)

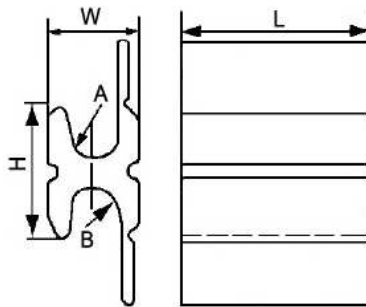


Catalog No.	Applicable Conductor Diameter (mm)		Main Dimensions (mm)				Weight (kg)
	Run	Tap	H	B	L	C	
JCT-1	5.03~6.35	4.65~6.35	36	17	32	16	0.03
JCT-2	5.89~8.13	5.03~8.13	34	20	38	12	0.04
JCT-3	8.15~10.52	6.35~10.52	38	23	45	14	0.05
JCT-4	10.54~13.25	8.13~13.25	46	28	55	16	0.07
JCT-5	13.30~15.06	10.52~15.06	53	30	64	18	0.09
JCT-6	15.01~16.91	13.25~16.91	58	32	70	20	0.11
JCT-7	17.00~18.80	5.06~18.80	64	35	76	22	0.13

Materials are made of Aluminum for use on AAC and ACSR Conductors.



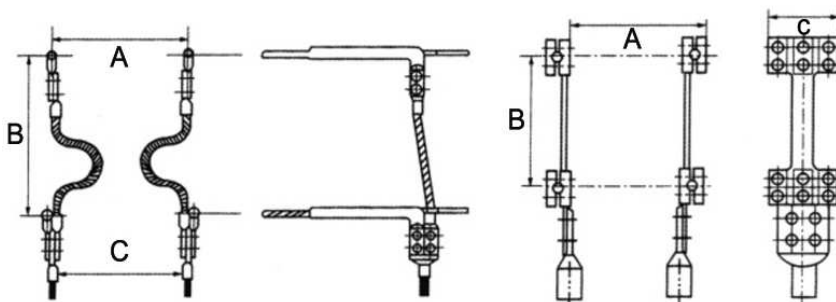
19. JH-Parallel Groove Clamp (Compression type)



Catalog No.	Applicable Conductor Diameter (mm)		Main Dimensions (mm)			Weight (kg)
	Run	Tap	H	L	W	
JH-11	6.80~10.5	6.80~10.5	28	38	18	0.05
JH-12	10.5~14.0	36.8~10.5	32	44	18	0.06
JH-22	10.1~14.3	10.1~14.4	33	44	18	0.07
JH-23	14.9~08.1	10.1~14.3	52	89	32	0.36
JH-24	18.5~22.7	10.1~14.3	77	117	44	1.05
JH-33	14.6~18.1	14.6~18.1	52	89	32	0.39
JH-34	18.5~22.7	14.6~18.1	77	117	44	0.96
JH-44	18.5~22.7	18.5~22.7	77	117	44	0.96
JH-45	22.5~28.1	18.5~22.7	80	130	48	1.20
JH-55	22.5~28.1	22.5~28.1	80	130	48	1.20

Materials are made of Aluminum for use on AAC and ACSR Conductors.

20. Connectors for 4-2 Bundle Conductors



Catalog No.	Applicable Conductor		Main Dimensions (mm)			Weight (kg)
	Run	Tap	A	B	C	
JP-2/4-1	LGJ-300	LGKK-900	450	450	346	20.6
JP-2/4-2	LGJ-400	LGKK-900	450	450	346	22.8
JP-2/4-3	LGJ-300	LGJQT-1400	450	450	353	21.6
JP-2/4-4	LGJ-400	LGJQT-1400	450	450	353	24.1
JP-2x1400/4x400	LGJ-400	LGJQT-1400	450	450	160	16.6

The clamp body and keeper are Aluminum; other parts are Hot Dip Galvanized Steel.